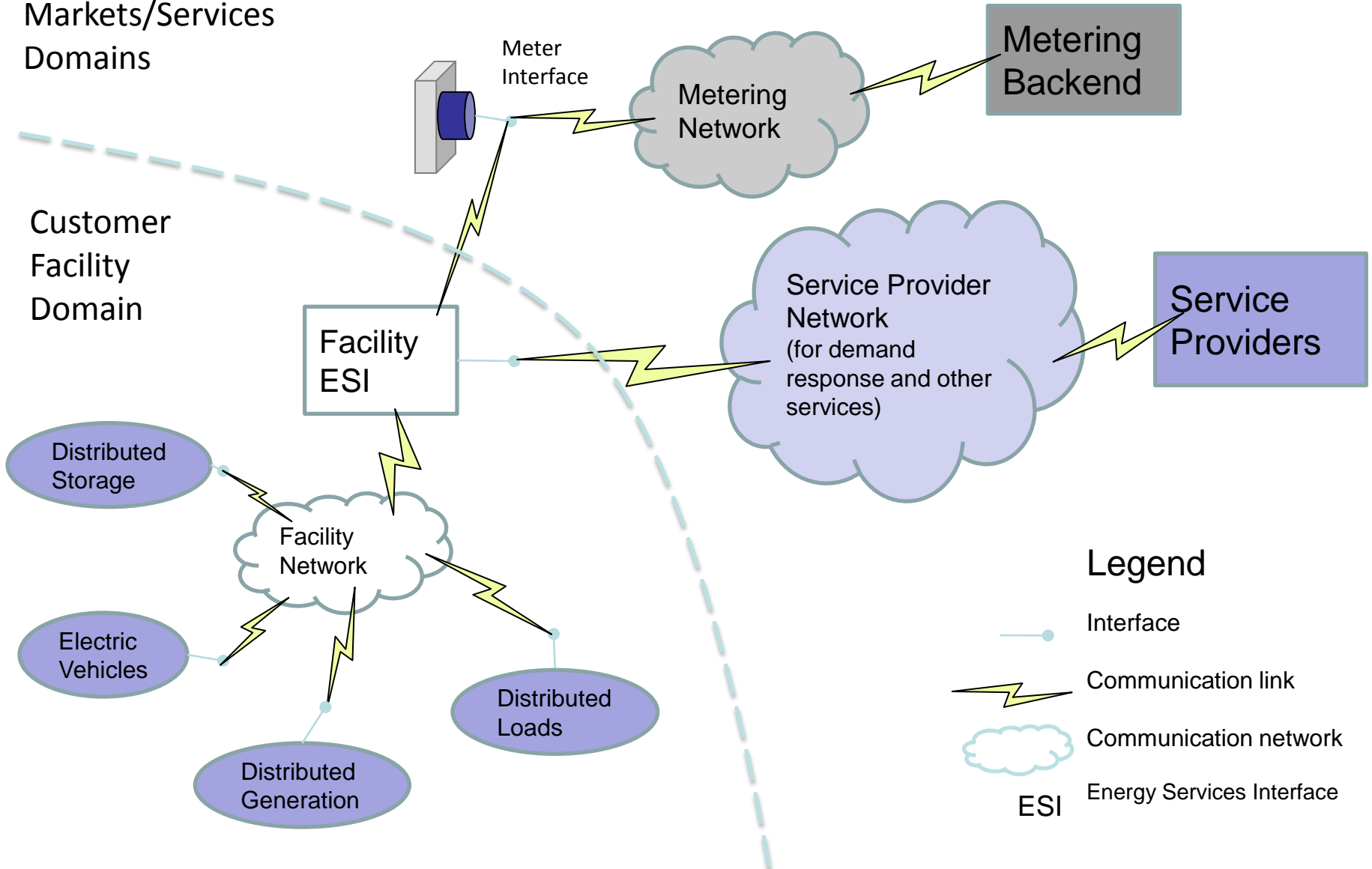
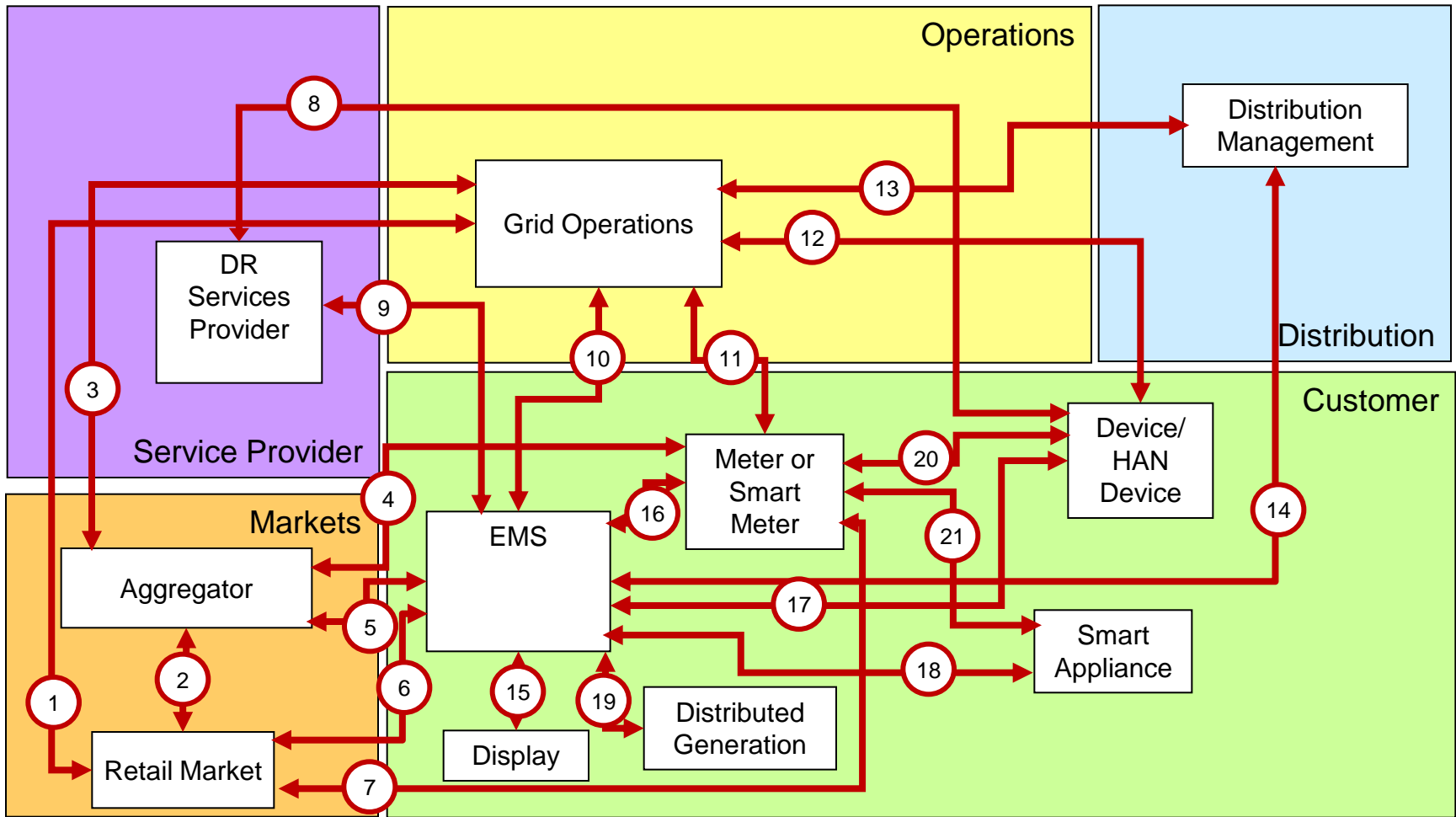


Meter, Facility Interfaces

Distrib/Grid Ops,
Markets/Services
Domains

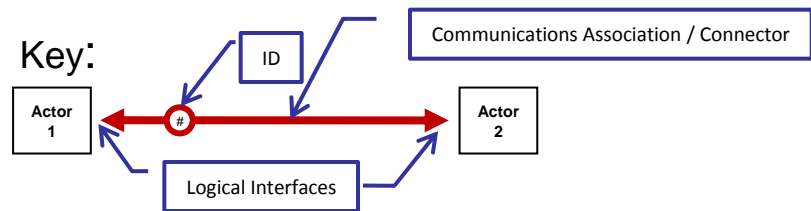
Customer
Facility
Domain

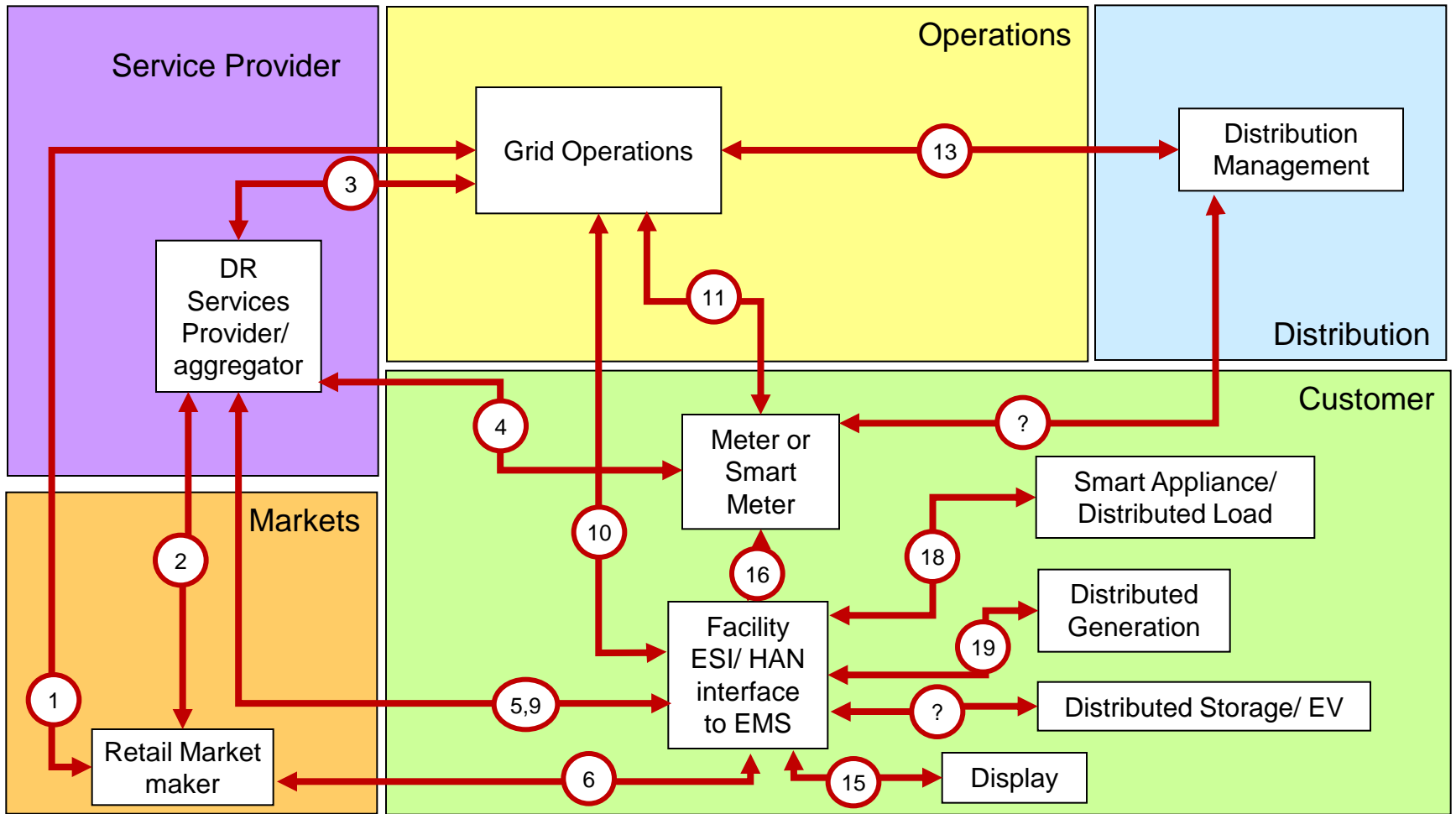




ORIGINAL Demand Response Use Cases: Actors and Logical Interfaces

HAN: Home Area Network
 EMS: Energy Management System
 DR: Demand Response



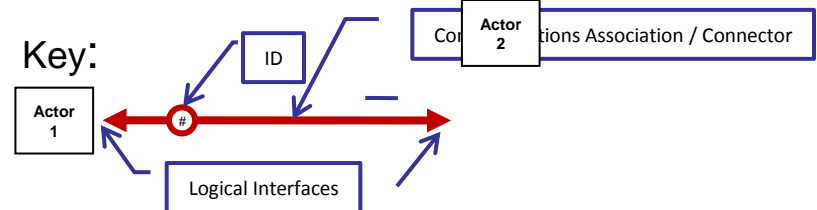


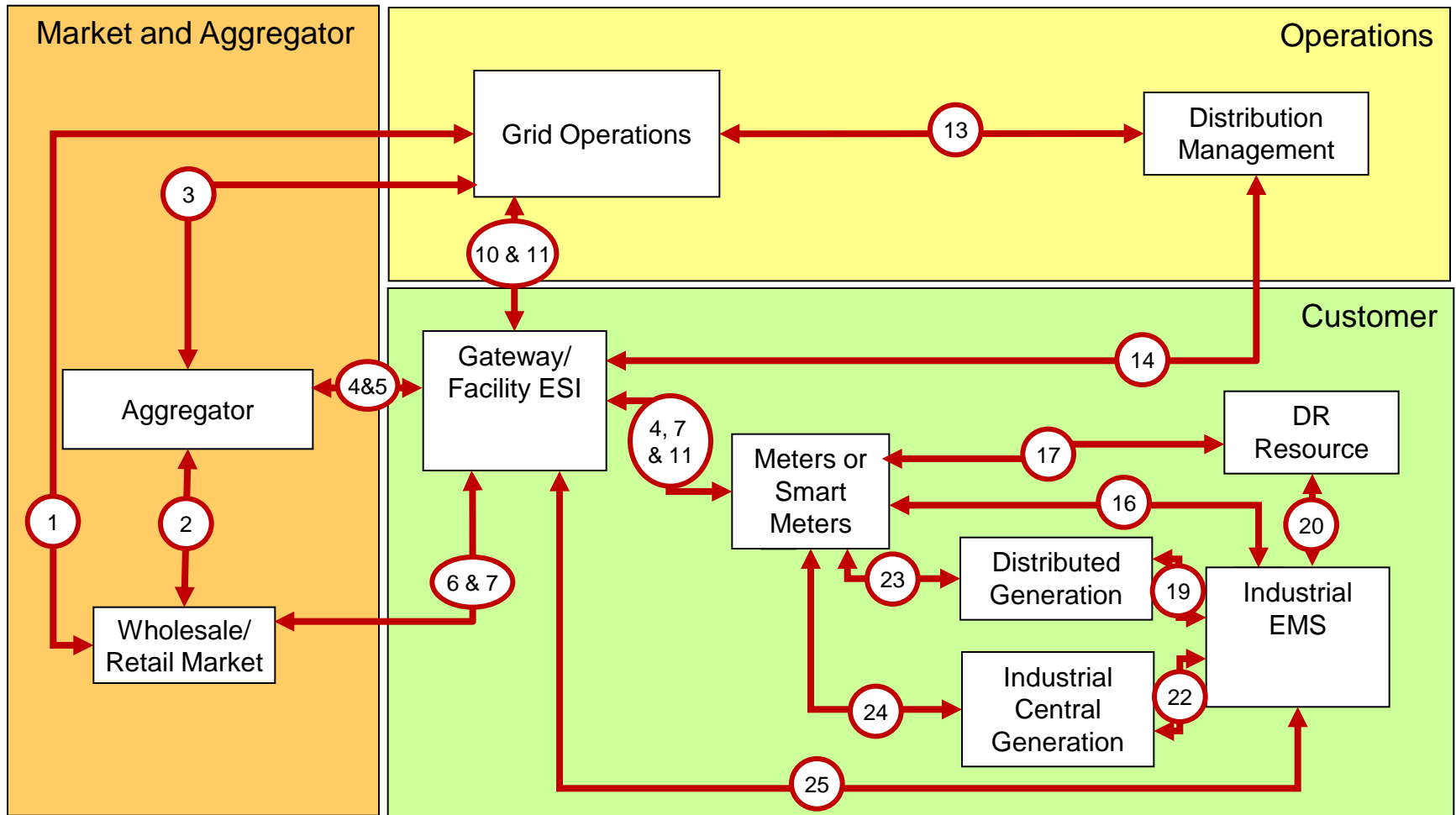
Removed Interfaces: 7 (meter doesn't get market signals), 8 (SP talks to devices through ESI), 12 (no grid op cnx to HAN device), 14 (not sure on this one), 17 (same as 18), 20-21 (meter doesn't talk to devices, but for AMI case ESI can be put in meter)

B2G Demand Response Use Cases:

Actors and Logical Interfaces

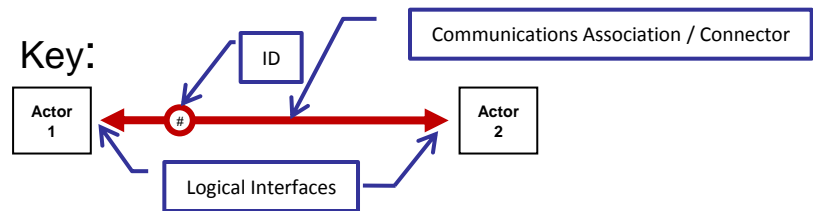
HAN: Home Area Network
 EMS: Energy Management System
 DR: Demand Response

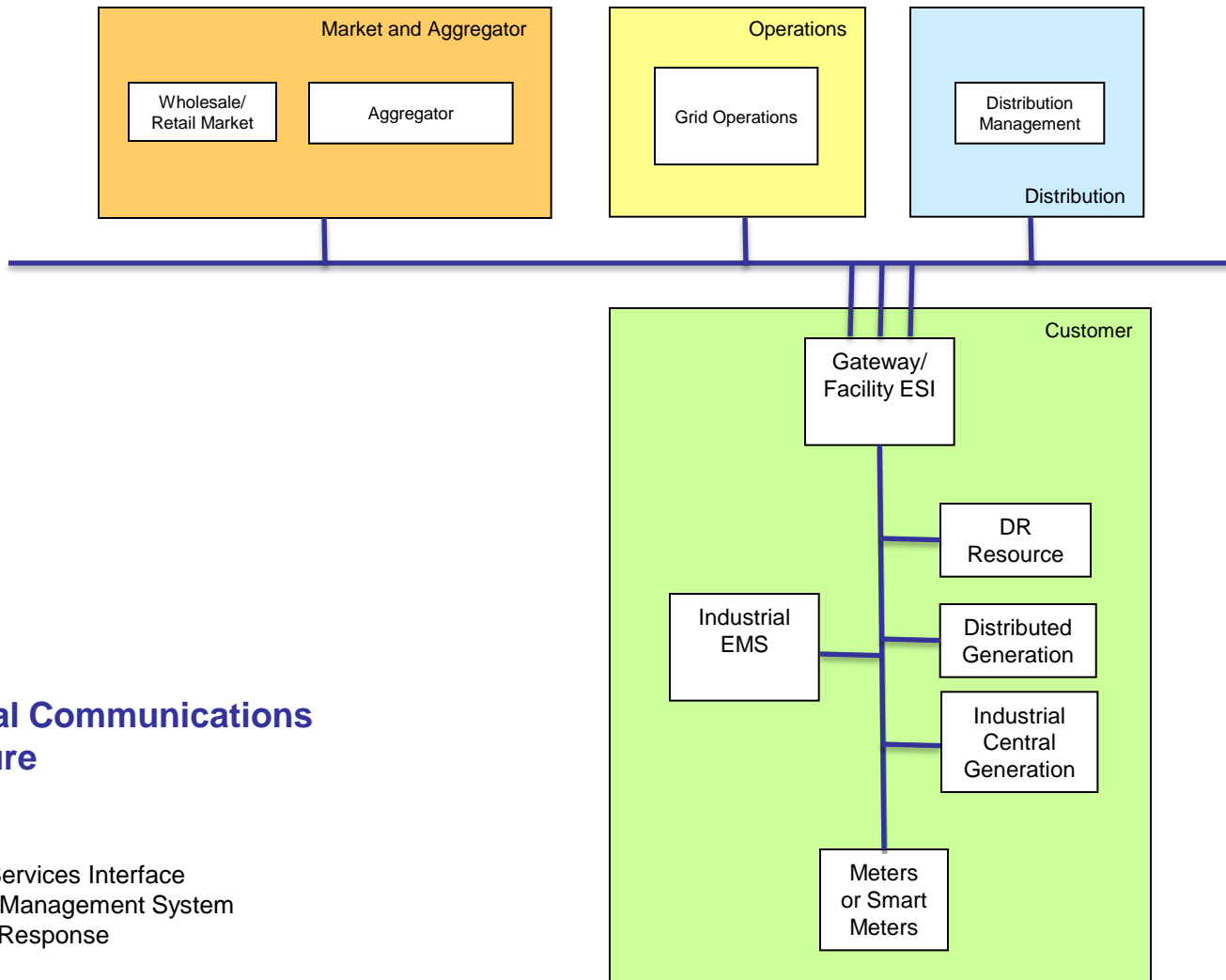




I2G Demand Response Use Cases: Actors and Logical Interfaces

ESI: Energy Services Interface
 EMS: Energy Management System
 DR: Demand Response





I2G Logical Communications Architecture

ESI: Energy Services Interface
 EMS: Energy Management System
 DR: Demand Response

